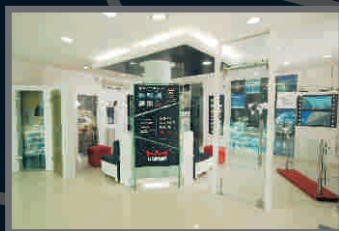
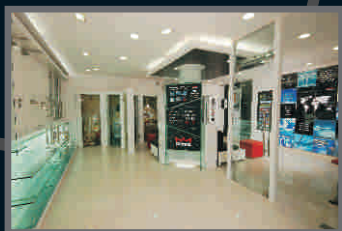


# DORMA XL - C<sup>TM</sup>

## New Contract Range



**AFFORDABLE**

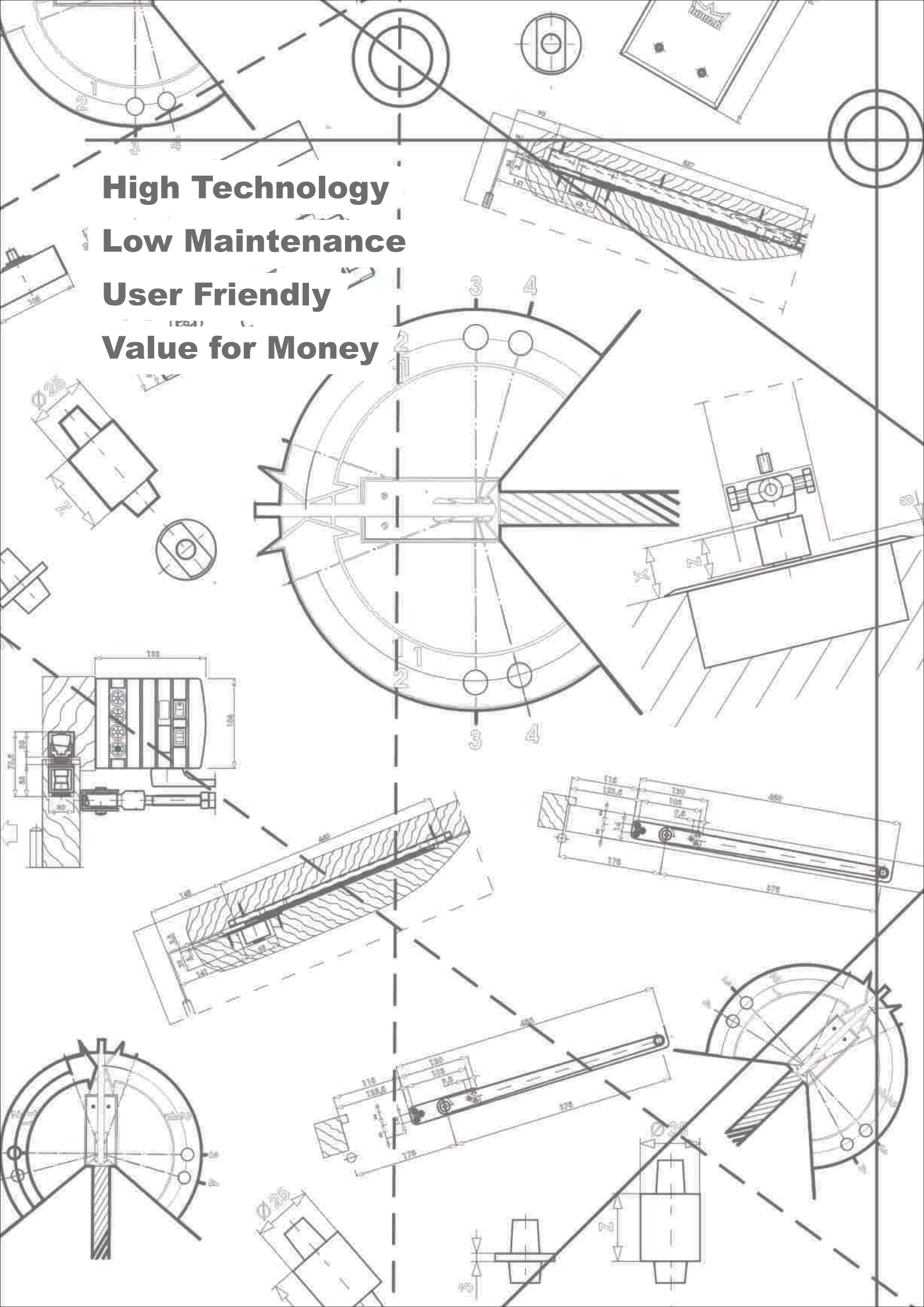
**ACCESSIBLE**

**RELIABLE**

**SAFE**

**FUNCTIONAL**

**High Technology**  
**Low Maintenance**  
**User Friendly**  
**Value for Money**



**Door Hardware**

Door Closer - Surface Mounted	1
Door Closer - Concealed	2
Floor Spring	3
Lever Handle	4
Locks (Regular)	5
Locks (Compact)	6
Narrow Stile Door Hardware	7
Hook Lock Package	8
Euro Profile Cylinder & WC indicator	9
Knob Lock	10
Pull Handle	11
Hinge	12
Door Accessories	13

**Glass**

Glass Door Package	14
Glass Door Accessories	15 - 17
Internal Glass Door Package - 1	18
Internal Glass Door Package - 2	19
Shower Fittings	20 - 21
Shower Seals and Accessories	22
Sliding Gear (Wooden Door Application)	23
Sliding Gear (Glass Door Application - without fixed panel)	24
Sliding Gear (Glass Door Application - with fixed panel)	25
Sliding Shower System	26
Sliding / Folding (Wooden Door Application)	27 - 28
HSW (Horizontal Sliding Wall)	29
FSW (Folding Sliding Wall)	30
Accessories for Sliding Systems	31

**Automatic Doors**

Automatic Sliding Door Operator	32
Automatic Swing Door Operator	33

**Spider Fittings**

Level - II Spider Fittings	34 - 35
----------------------------	---------

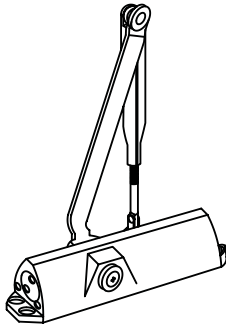


**Door Closer surface mounted, EN 3**

Finish : Silver  
Width of door : 950mm  
Weight of door : 60 kgs  
Adjustable Closing & Latching speed

Ordering Code : **XL-C 1001**  
Reference Code : **9127346**

---

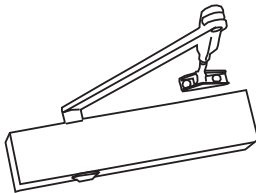


**Door Closer surface mounted, EN 2/3/4**

Finish : Silver  
Width of door : 1100mm  
Weight of door : 80 kgs  
Adjustable Closing & Latching speed

Ordering Code : **XL-C 1002**  
Reference Code : **9127347**

---

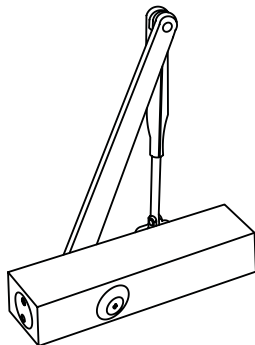


**Door Closer surface mounted, EN 2/3/4**

Finish : Silver  
Width of door : 1100mm  
Weight of door : 80 kgs  
Adjustable Closing & Latching speed

Ordering Code : **XL-C 1003**  
Reference Code : **9127308**

---

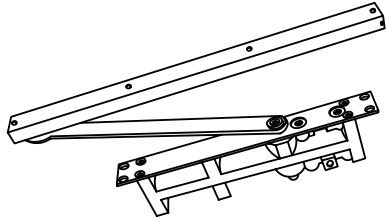


**Door Closer surface mounted, EN 3-6**

Finish : Silver  
Width of door : 1400mm  
Weight of door : 120 kgs  
Adjustable spring strength closing &  
Latching speed

Ordering Code : **XL-C 1004**  
Reference Code : **9127309**

**Door Closer**  
(Surface Mounted)



**Door Closer concealed, EN 2**

Finish : Silver

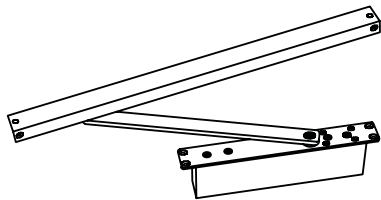
Width of door : 850mm

Weight of door : 40 kgs

Adjustable Closing & Latching speed

Ordering Code : XL-C 1005

Reference Code : 9127310



**Door Closer concealed, EN 3**

Finish : Silver

Width of door : 950mm

Weight of door : 60 kgs

Adjustable hold open

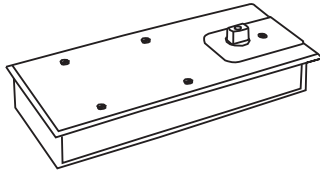
Adjustable Closing & Latching speed

Ordering Code : XL-C 1006

Reference Code : 9127311

**Door Closer**  
(Concealed)





**Floor spring with 90° Hold open (EN 4)  
(for Glass Door)**

Finish : SSS

Width of door : 1100 mm

Weight of door : 100 kgs

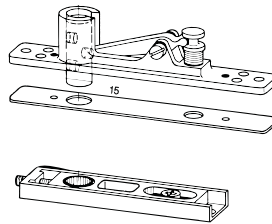
Adjustable Sweep speed & Closing speed

Ordering Code : XL-C 1007

Reference Code : 9127348

---

**Wooden & Aluminium Door Accessories - Top Centre**



Wooden Door

Ordering Code : XL-C 1008 A

Reference Code : 9127349

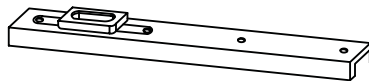
Aluminium Door

Ordering Code : XL-C 1010 A

Reference Code : 9127312

---

**Wood Door Accessories - Bottom Strap**



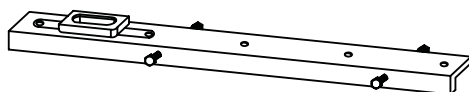
Ordering Code : XL-C 1009 A

Reference Code : 9127350

**Floor Spring**

---

**Aluminium Door Accessories - Bottom Strap**

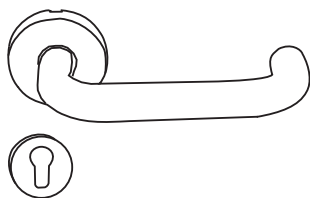


Ordering Code : XL-C 1011 A

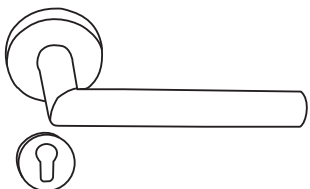
Reference Code : 9127313

DORMA's stainless steel Tubular lever handles come in 3 different designs with complete fixing accessories, including escutcheons and roses and are designed for secure through-bolt fixings. The clip-on cover plates conceal the through-bolt fixings and spindle bushing, thereby ensuring a neat and elegant appearance of the installed lever handles.

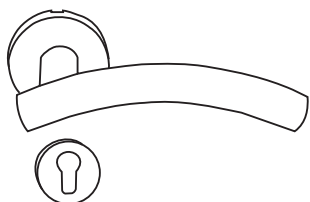
#### Lever Handle options - Regular style



Ordering Code : XL-C 2001-D1  
Reference Code : 9127314



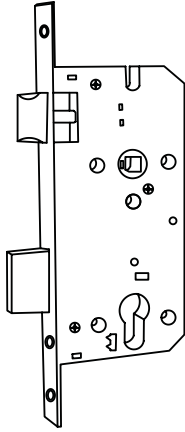
Ordering Code : XL-C 2002-D2  
Reference Code : 9127315



Ordering Code : XL-C 2003-D3  
Reference Code : 9127316

**Lever Handle**

**Sash Lock**



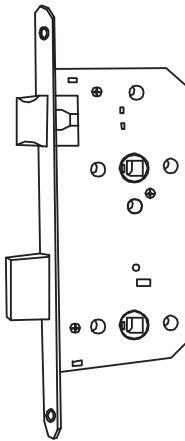
Forend width - 20mm  
Backset - 55mm  
Centre - 72mm

**Forend Finish :** Satin Stainless Steel

**Ordering Code :** XL-C 2004 C-72

**Reference Code :** 9127339

**WC Lock**



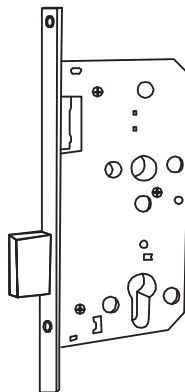
Forend width - 20mm  
Backset - 55mm  
Centre - 78mm

**Forend Finish :** Satin Stainless Steel

**Ordering Code :** XL-C 2005 C-78

**Reference Code :** 9127318

**Dead Lock**



Forend width - 20mm  
Backset - 55mm

**Forend Finish :** Satin Stainless Steel

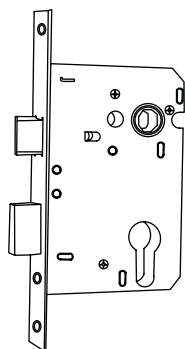
**Ordering Code :** XL-C 2015

**Reference Code :** 9127326

**Lock**  
(Regular)



**Sash Lock**



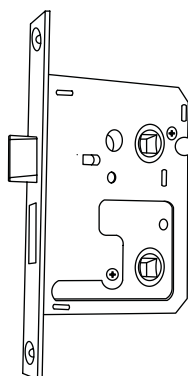
Forend width - 20mm  
Backset - 57mm  
Centre - 61mm

**Forend Finish :** Satin Stainless Steel

**Ordering Code :** XL-C 2007 C-61

**Reference Code :** 9127317

**WC Lock**



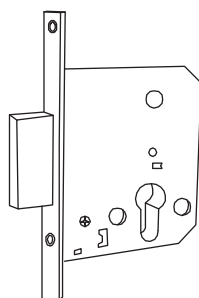
Forend width - 20mm  
Backset - 57mm  
Centre - 57mm

**Forend Finish :** Satin Stainless Steel

**Ordering Code :** XL-C 2008 C-61

**Reference Code :** 9127370

**Dead Lock**



Forend width - 20mm  
Backset - 55mm

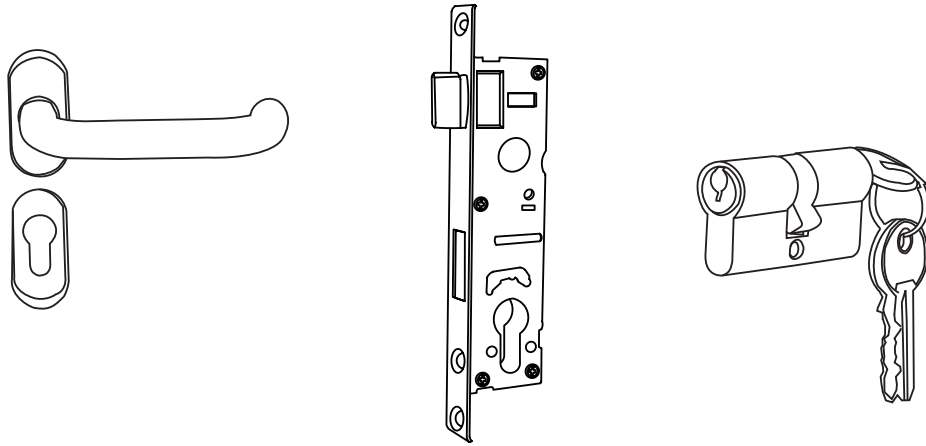
**Forend Finish :** Satin Stainless Steel

**Ordering Code :** XL-C 2016

**Reference Code :** 9120855

**Lock**  
(Compact)

**Lever Handle Package**



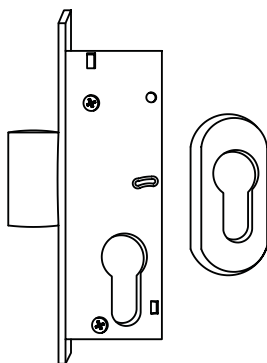
**Lever Handle Package Consist of**

- 1) TH 126FT Series Lever Handle
- 2) Narrow Stile Sash Lock with 25mm Back Set, 20 mm forend, CTC 72mm and Strike plate
- 3) Euro Profile Cylinder with both side key of length 60mm

**Ordering Code : XL-C 2013-D4**

**Reference Code : 9127367**

**Dead Lock**

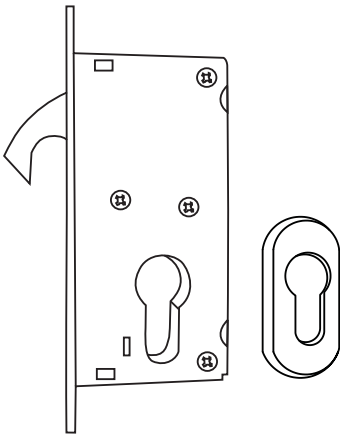


**Dead Lock Consist of**

- 1) Narrow Stile Dead Lock with 25mm Back Set, 20 mm forend and Strike plate
- 2) Oval Escutcheon

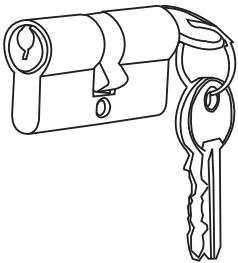
**Ordering Code : XL-C 2017**

**Reference Code : 9127342**



**Hook Lock Package Consist of**

- 1) Hook Lock with 30mm Back Set, 15mm forend and Strike plate
- 2) Euro Profile Cylinder with both side key operation of length 60mm
- 3) Oval Escutcheon

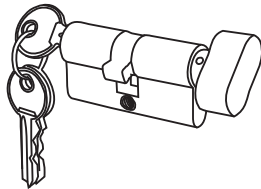


**Ordering Code : XL-C 2014**

**Reference Code : 9127325**

**Hook lock  
Package**  
(Sliding Doors)

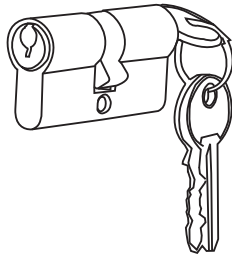
**Euro Profile Cylinder**



5 pin EPC one side knob and other side key  
Length = 60mm, 3 keys SNP -NMK

**Ordering Code : XL-C 2011-A**  
**Reference Code : 9127320**

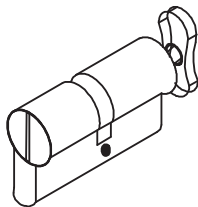
---



5 pin EPC both side key  
Length = 60mm, 3 keys SNP -NMK

**Ordering Code : XL-C 2010-A**  
**Reference Code : 9127319**

---

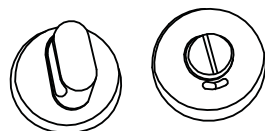


5 pin WC EPC one side knob and other side emergency release slot  
Length = 60mm, 3 keys SNP -NMK

**Ordering Code : XL-C 2012-A**  
**Reference Code : 9127321**

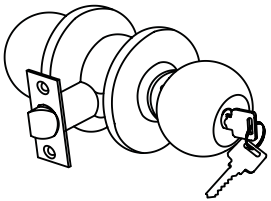
---

**WC Indicator**



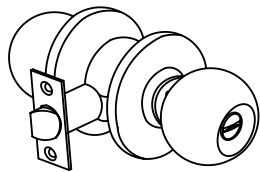
WC Indicator with internal thumb turn &  
external emergency release slot

**Ordering Code : XL-C 2012-B**  
**Reference Code : 9127322**



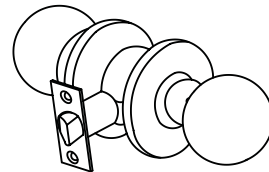
**Entrance**

**Function:**  
Internal Push Button and  
external key operation  
Finish : SSS



**Privacy**

**Function:**  
Internal Push Button and  
external emergency release slot.  
Finish : SSS



**Passage**

**Function:**  
Active knobs on both sides.  
Finish : SSS

KS Model	Function	Finish	Ordering Code	Ref. Code
	<b>Entrance</b>	SSS	XL-C 2020 S	9127352
		PB	XL-C 2020 B	9127357
	<b>Privacy</b>	SSS	XL-C 2021 S	9127353
		PB	XL-C 2021 B	9127358
	<b>Passage</b>	SSS	XL-C 2022 S	9127323
		PB	XL-C 2022 B	9127359

KB Model	Function	Finish	Ordering Code	Ref. Code
	<b>Entrance</b>	SSS	XL-C 2023 S	9127360
		PB	XL-C 2023 B	9127361
	<b>Privacy</b>	SSS	XL-C 2024 S	9127362
		PB	XL-C 2024 B	9127363
	<b>Passage</b>	SSS	XL-C 2025 S	9127364
		PB	XL-C 2025 B	9127365

**Knob Lock**

**D - Type**



Size : 150 mm x 19 mm  
Grade : SS 304  
Finish : SSS

**Ordering Code : XL-C 3001 A**  
**Reference Code : 9127324**

Size : 300 mm x 22 mm  
Grade : SS 304  
Finish : SSS

**Ordering Code : XL-C 3002 A**  
**Reference Code : 9127354**

**H - Type**



Size : 450 mm x 25 mm (CTC 350mm)  
Grade : SS 304  
Finish : SSS

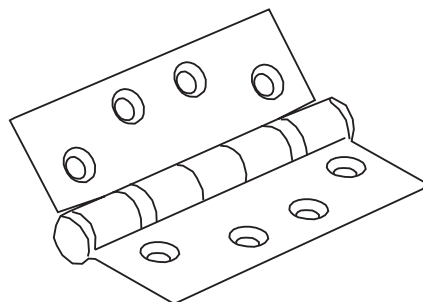
**Ordering Code : XL-C 3003 A**  
**Reference Code : 9127327**

Size : 600 mm x 30 mm (CTC 500mm)  
Grade : SS 304  
Finish : SSS

**Ordering Code : XL-C 3004 A**  
**Reference Code : 9127328**

**Pull Handle**

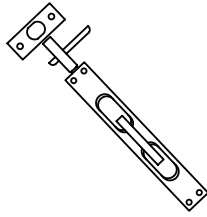
\* Maximum door thickness 40mm



Description	Size	Ordering Code	Reference Code
<b>5 Knuckle, 4 Ball bearing</b> Grade SS 304 Finish SSS	5"x3.5"x3mm	XL-C 3005 A	9127375
<b>5 Knuckle, 2 Ball bearing butt hinge</b> Grade SS 304 Finish SSS	5"x3.5"x3mm	XL-C 3006 A	9127376
<b>5 Knuckle, 2 Ball bearing butt hinge</b> Grade SS 304 Finish SSS	4.5"x4"x3mm	XL-C 3007 A	9127377
<b>5 Knuckle, 2 Ball bearing butt hinge</b> Grade SS 304 Finish SSS	4"x4"x3mm	XL-C 3008 A	9127378
<b>5 Knuckle, 2 Ball bearing butt hinge</b> Grade SS 304 Finish SSS	4"x3"x3mm	XL-C 3009 A	9127329
<b>5 Knuckle, 2 Ball bearing butt hinge</b> Grade SS 304 Finish SSS	4"x3"x2.5mm	XL-C 3010 A	9127379
<b>5 Knuckle, without Ball bearing butt hinge</b> Grade SS 304 Finish SSS	4"x3"x2.5mm	XL-C 3011 A	9127380
<b>5 Knuckle, without Ball bearing butt hinge</b> Grade SS 304 Finish SSS	4"x3"x2mm	XL-C 3012 A	9127381

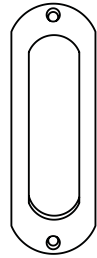
## Hinge





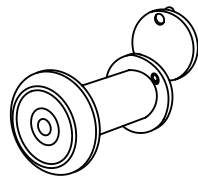
Manual flush bolt for  
Wooden door  
W-20mm, L-172mm

**Ordering Code : XL-C 3013 A**  
**Reference Code : 9127307**



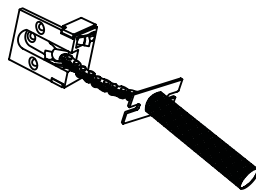
OVAL Flush Pull  
78 x 22mm - SSS

**Ordering Code : XL-C 3014 A**  
**Reference Code : 9127333**



Eye viewer with flap

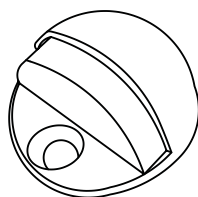
**Ordering Code : XL-C 3015 A**  
**Reference Code : 9127334**



Spring loaded  
security door chain

**Ordering Code : XL-C 3019 A**  
**Reference Code : 9127338**

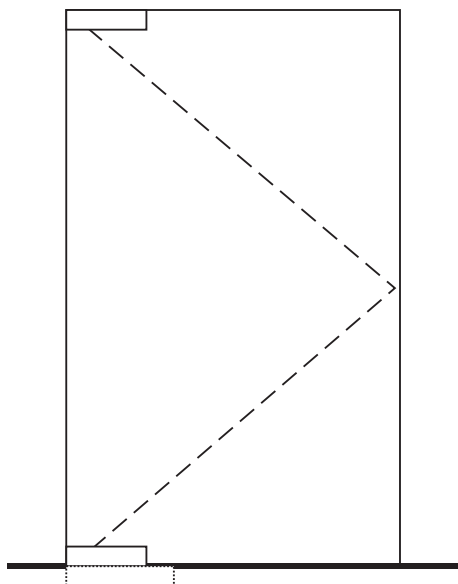
**Door  
Accessories**



Half Dome (45mm)  
Floor mounted door stop  
Finish : SSS

**Ordering Code : XL-C 3017 A**  
**Reference Code : 9127336**

**Glass Door Package (without Lock)**



**Glass Door Package (without Lock) consist of**

- 1. Top Pivot - 1 No.
- 2. Top Patch fitting - 1 No.
- 3. Bottom Patch fitting - 1 No.
- 4. Floor Spring (EN4) - 1 No.

(Pull Handle & Corner Lock not included)

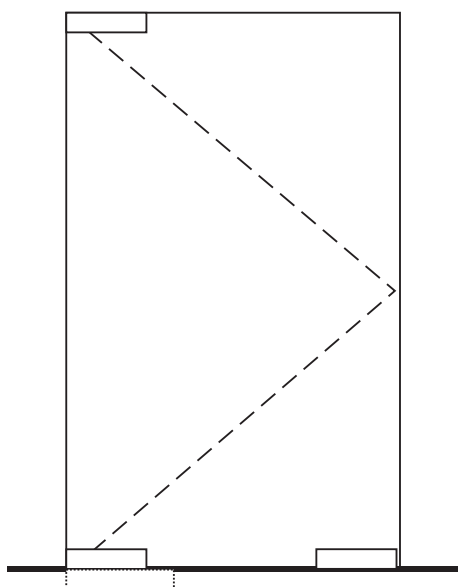
Maximum Door Width - 1100 mm

Maximum Door Weight - 80 Kgs

**Ordering Code : XL-C 4000**

**Reference Code : 9137527**

**Glass Door Package (with Lock)**



**Glass Door Package consist of**

- 1. Top Pivot - 1 No.
- 2. Top Patch fitting - 1 No.
- 3. Bottom Patch fitting - 1 No.
- 4. Corner Lock with EPC  
& floor strike - 1 No.
- 5. Floor Spring (EN4) - 1 No.

(Pull Handle not included)

Maximum Door Width - 1100 mm

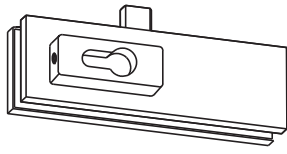
Maximum Door Weight - 80 Kgs

**Ordering Code : XL-C 4001**

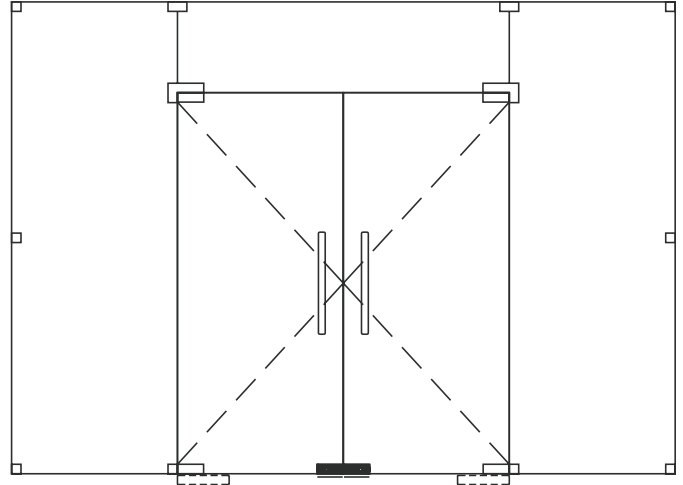
**Reference Code : 9137809**

**Glass Door Packages**

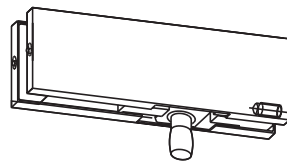
Corner Lock with EPC and strike plate



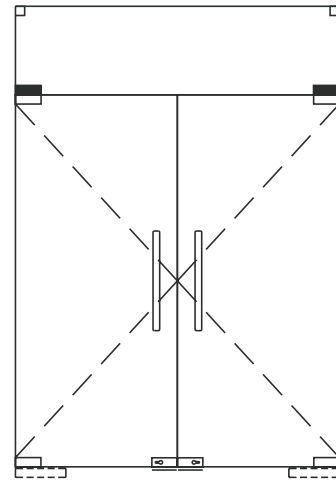
Ordering Code : XL-C 4011A  
Reference Code : 9137528



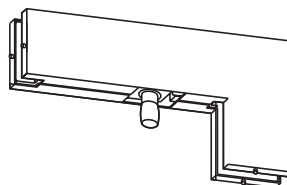
Fanlight patch for wall fixing



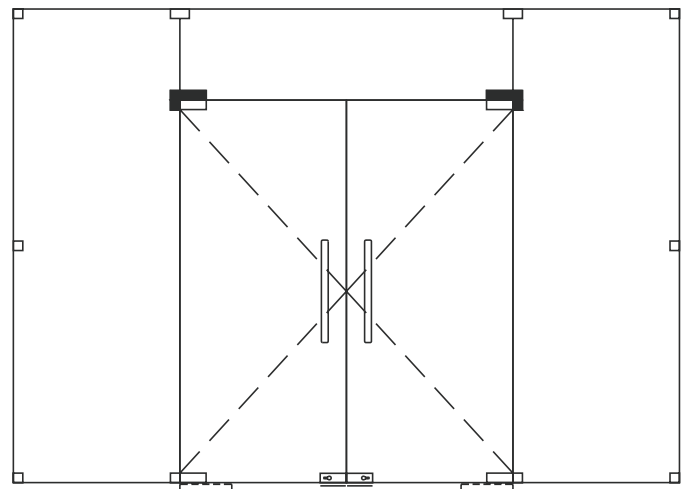
Ordering Code : XL-C 4002A  
Reference Code : 9137502



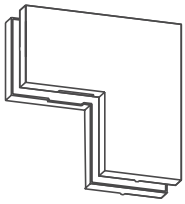
Patch fitting for overpanel and sidelight



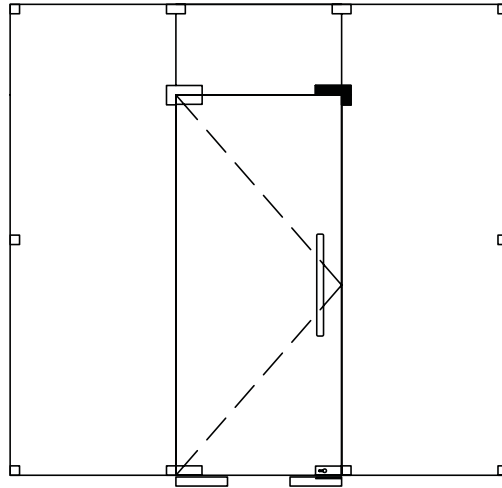
Ordering Code : XL-C 4003A  
Reference Code : 9137503



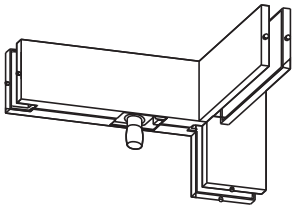
Patch fitting for Overpanel & Sidelight  
without pivot insert



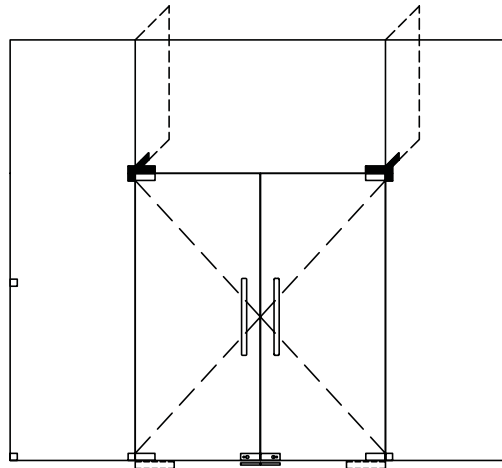
**Ordering Code : XL-C 4004A**  
**Reference Code : 9137506**



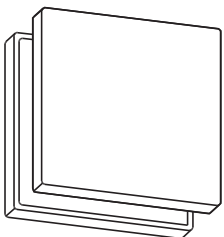
Patch fitting for overpanel and sidelight  
with pivot and Fin (LH/RH)



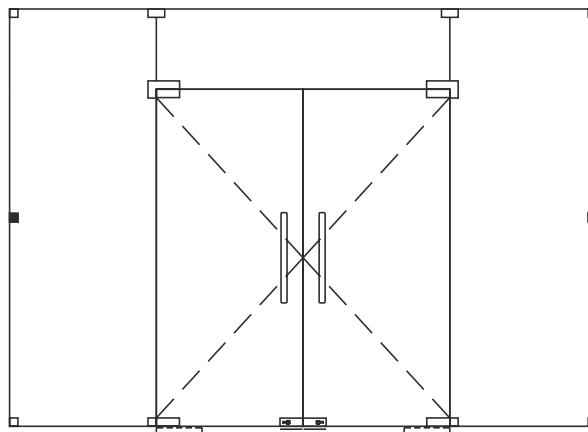
**Ordering Code : XL-C 4005A**  
**Reference Code : 9137529**



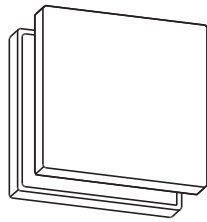
Central Connector



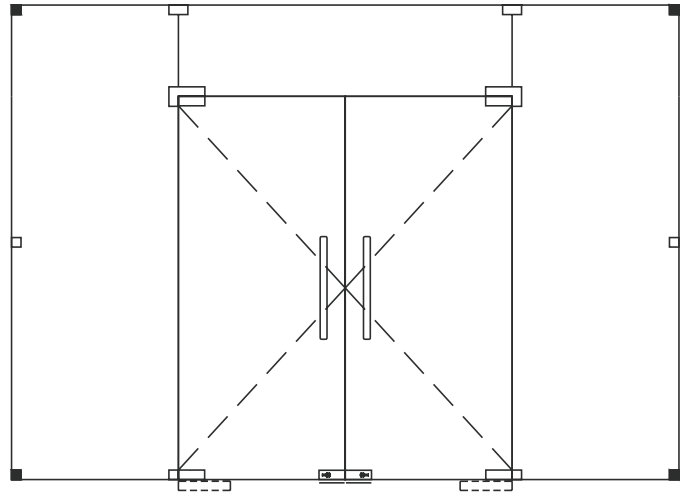
**Ordering Code : XL-C 4006A**  
**Reference Code : 9137504**



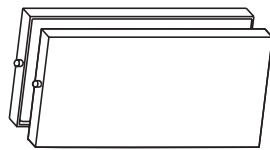
Corner Connector



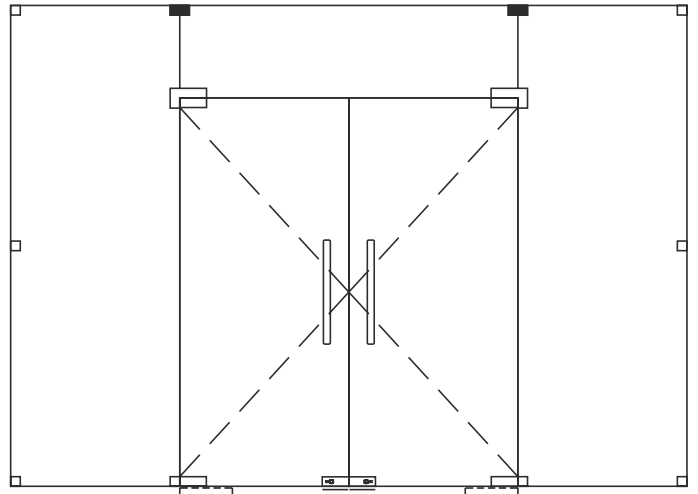
Ordering Code : XL-C 4007A  
Reference Code : 9137523



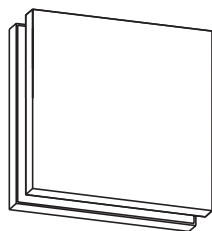
Side Connector



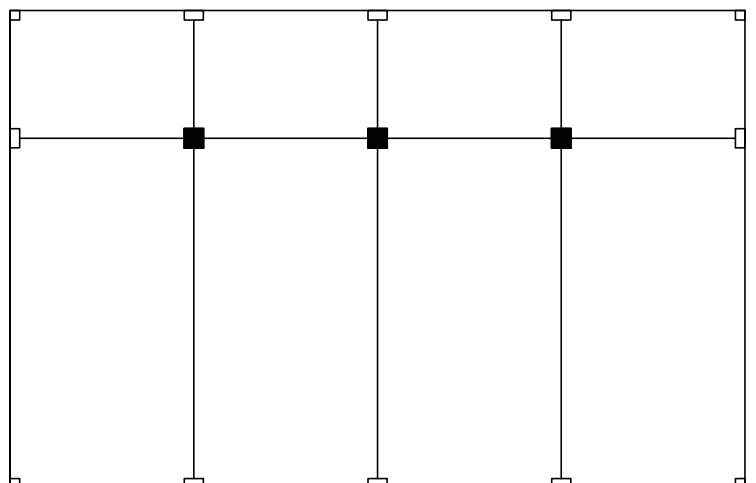
Ordering Code : XL-C 4008A  
Reference Code : 9137515

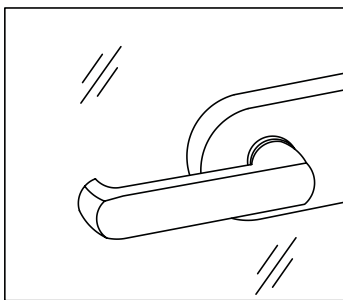
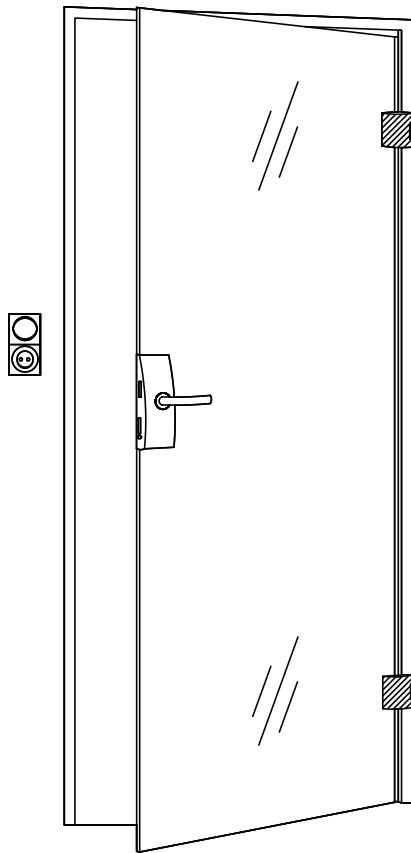


Quadruple Connector

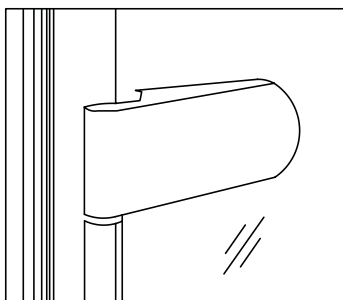


Ordering Code : XL-C 4009A  
Reference Code : 9137524





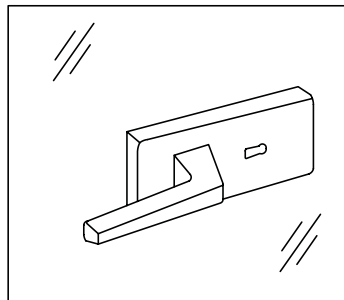
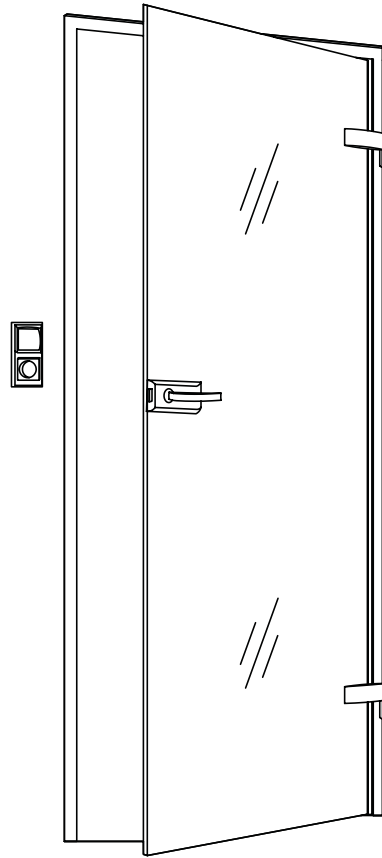
- Locks prepared for handles without roses, only latch function, handle in front, prepared for EPC
- Hinges inclusive sleeve (2 nos)
- Lever handles
- Angled strike plate
- Frame pivot, Screw on type
- EPC



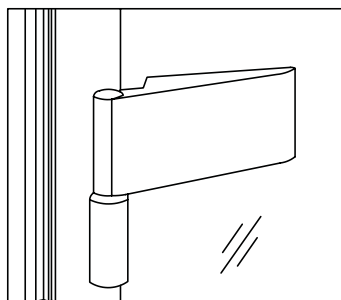
**Ordering Code : XL-C 301**  
**Ref. Code : 9138067**  
Finish : Aluminum Silver (101)

**Ordering Code : XL-C 302**  
**Ref. Code : 9138068**  
Finish : Aluminum SSS\* (107)

**Internal  
Glass Door  
Package-1**



- Locks prepared for handles without roses, only latch function, handle in front, prepared for EPC
- Hinges inclusive sleeve (2 nos)
- Lever handles
- Angled strike plate
- Frame pivot, screw - ON TYPE
- EPC



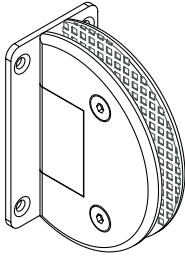
**Ordering Code : XL-C 303**  
**Ref. Code : 9138069**  
Finish : Aluminum Silver (101)

**Ordering Code : XL-C 304**  
**Ref. Code : 9138070**  
Finish : Aluminum SSS\* (107)

**Internal  
Glass Door  
Package-2**



**Glass to wall Hinge**

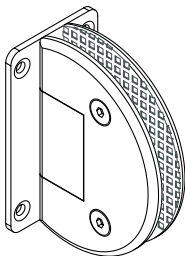


Ordering Code : XL-C 5001

Reference Code : 9138022

---

**Glass to wall Bracket (Big)**

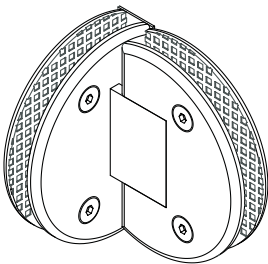


Ordering Code : XL-C 5002

Reference Code : 9138027

---

**Glass / Glass Hinge 90°**

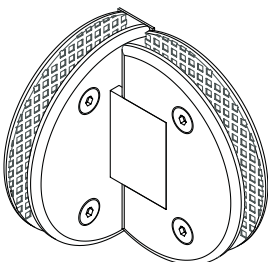


Ordering Code : XL-C 5003

Reference Code : 9138023

---

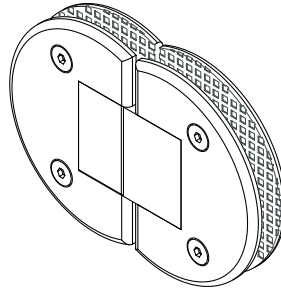
**Glass / Glass Bracket 90°**



Ordering Code : XL-C 5017

Reference Code : 9138039

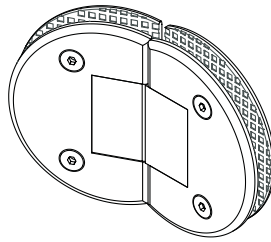
**Glass /Glass Hinge 180°**



**Ordering Code : XL-C 5004**

**Reference Code : 9138024**

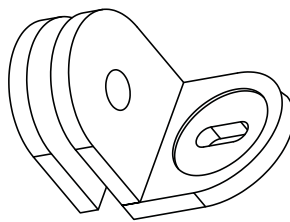
**Glass / Glass Hinge 135°**



**Ordering Code : XL-C 5005**

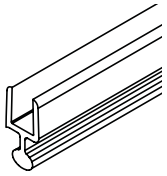
**Reference Code : 9138026**

**G/W Bracket 90° (small)**



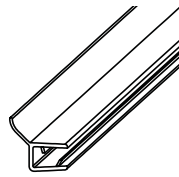
**Ordering Code : XL-C 5006**

**Reference Code : 9131702**



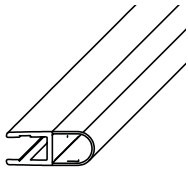
Water disperser  
8-10mm glass L=2000 mm

**Ordering Code : XL-C 5007**  
**Ref. Code : 9138028**



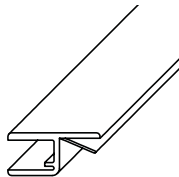
Wall Seal  
8-10mm glass L=2000 mm

**Ordering Code : XL-C 5008**  
**Ref. Code : 9138029**



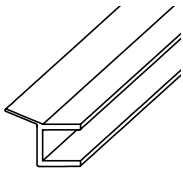
Soft nose seal  
8-10mm glass 2000 long.

**Ordering Code : XL-C 5009**  
**Ref. Code : 9138030**



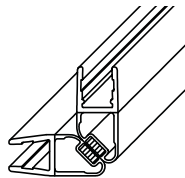
Mid seal  
8-10mm glass L = 2000mm

**Ordering Code : XL-C 5010**  
**Ref. Code : 9138031**



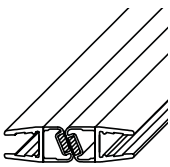
Middle Seal  
135° 8-10mm glass 2000 long.

**Ordering Code : XL-C 5011**  
**Ref. Code : 9138032**



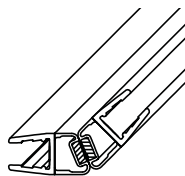
Magnetic seal  
90° 8-10mm glass L=2000mm

**Ordering Code : XL-C 5012**  
**Ref. Code : 9138033**



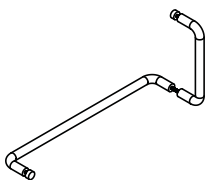
Magnetic seal  
180° 8-10mm glass L=2000mm

**Ordering Code : XL-C 5013**  
**Ref. Code : 9138034**



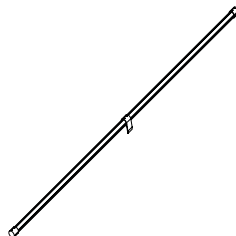
Magnetic seal  
135° 8-10mm glass L=2000mm

**Ordering Code : XL-C 5014**  
**Ref. Code : 9138035**



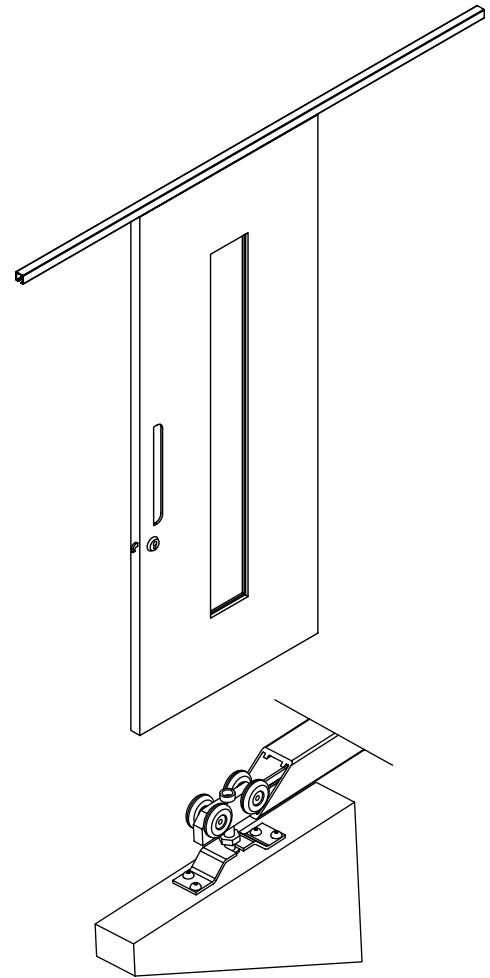
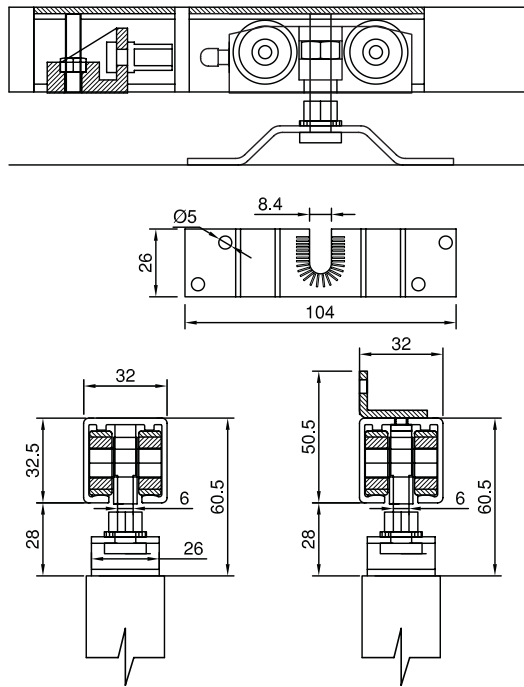
Towel Rod Cum Handle  
458mm x 200mm x 19mm

**Ordering Code : XL-C-5015A**  
**Ref. Code : 9138036**



Inline Support Bar with two wall  
clamps and one glass clamp

**Ordering Code : XL-C-5016A**  
**Ref. Code : 9138037**



**Standard Wooden Sliding Door**

- Max 80 kg/Shutter
- 30 - 32mm Shutter Thickness for Wall Mounting
- 30 - 34mm Shutter Thicknes for Ceiling Mounting
- Standard duty ball bearing Four Rollers / Clamp
- Heavy duty Track at 2 & 3Mtrs
- Hook Lock for Wooden Sliding (Optional)
- Flush Pull / Handle (Optional)

**Ordering Code : XL-C 7001 2M-WA80**

**Reference Code : 9137544**

Kit contains 2 mtr Track with clamping accessories, two standard rollers with end stopper and Door guide.

**Ordering Code : XL-C 7002 3M-WA80**

**Reference Code : 9137545**

Kit contains 3 mtr Track with clamping accessories, two standard rollers with end stopper and Door guide.

**Heavy Duty Wooden Sliding Door**

- Max 120 kg/Shutter
- 30 - 32mm Shutter Thickness for Wall Mounting
- 30 - 45mm Shutter Thicknes for Ceiling Mounting
- Heavy duty ball bearing Four Rollers / Clamp
- Heavy duty Track at 2 & 3Mtrs
- Hook Lock for Wooden Sliding (Optional)
- Flush Pull / Handle (Optional)

**Ordering Code : XL-C 7003 2M-WA120**

**Reference Code : 9137546**

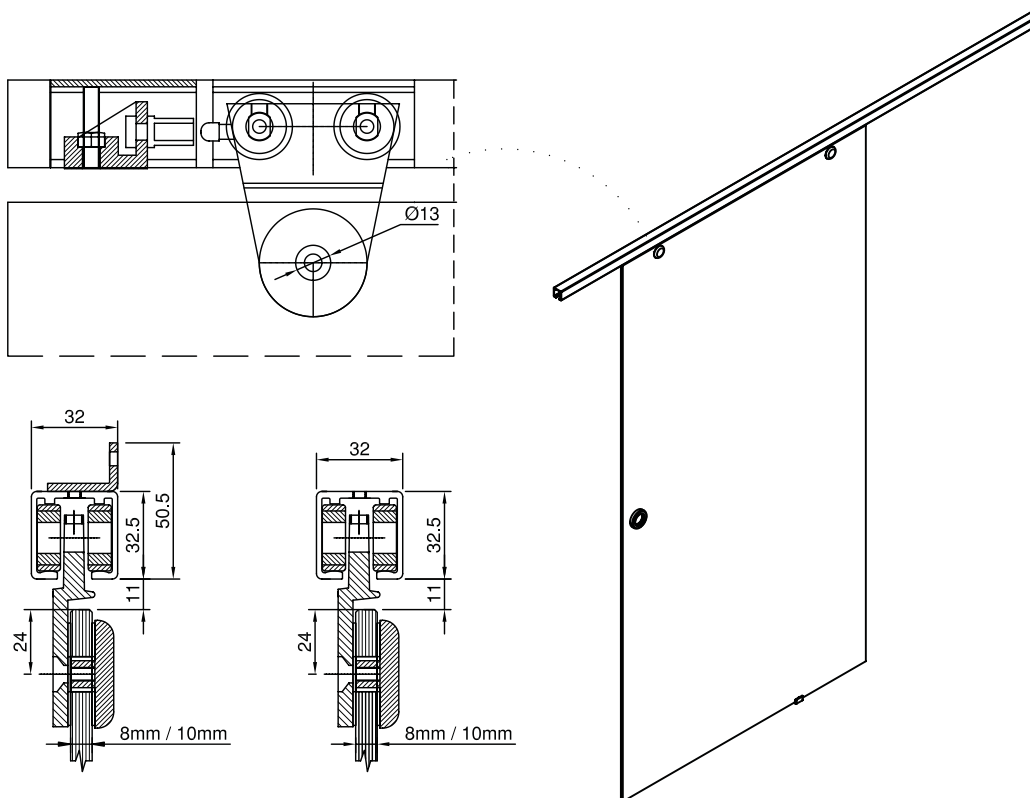
Kit contains 2 mtr Track with clamping accessories, two heavy duty rollers with end stopper and Door guide.

**Ordering Code : XL-C 7004 3M-WA120**

**Reference Code : 9137547**

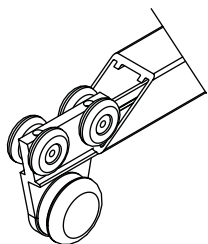
Kit contains 3 mtr Track with clamping accessories, two heavy duty rollers with end stopper and Door guide.

**SLIDING GEAR**  
(Wooden Door Application)



**Standard Glass Sliding Door**

- Max 60 - 70 kg/Leaf
- 8 & 10mm Glass Thickness
- Standard duty ball bearing Four Rollers / Clamp
- Heavy duty Track at 2 & 3Mtrs
- Hook Lock for Glass Sliding (Optional)
- Flush Pull (Optional)



**Ordering Code : XL-C 7005 2M-GL80**

**Reference Code : 9137548**

Kit contains 2 mtr Track with clamping accessories, two standard rollers with end stopper and Door guide.

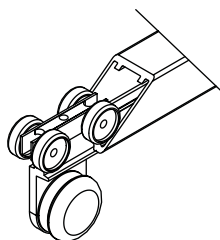
**Ordering Code : XL-C 7006 3M-GL80**

**Reference Code : 9137549**

Kit contains 3 mtr Track with clamping accessories, two standard rollers with end stopper and Door guide.

**Heavy Duty Glass Sliding Door**

- Max 120 kg/Leaf
- 8 & 10mm Glass Thickness
- Heavy duty ball bearing Four Rollers / Clamp
- Heavy duty Track at 2 & 3 Mtrs
- Hook Lock for Glass Sliding (Optional)
- Flush Pull (Optional)



**Ordering Code : XL-C 7007 2M-GL120**

**Reference Code : 9137550**

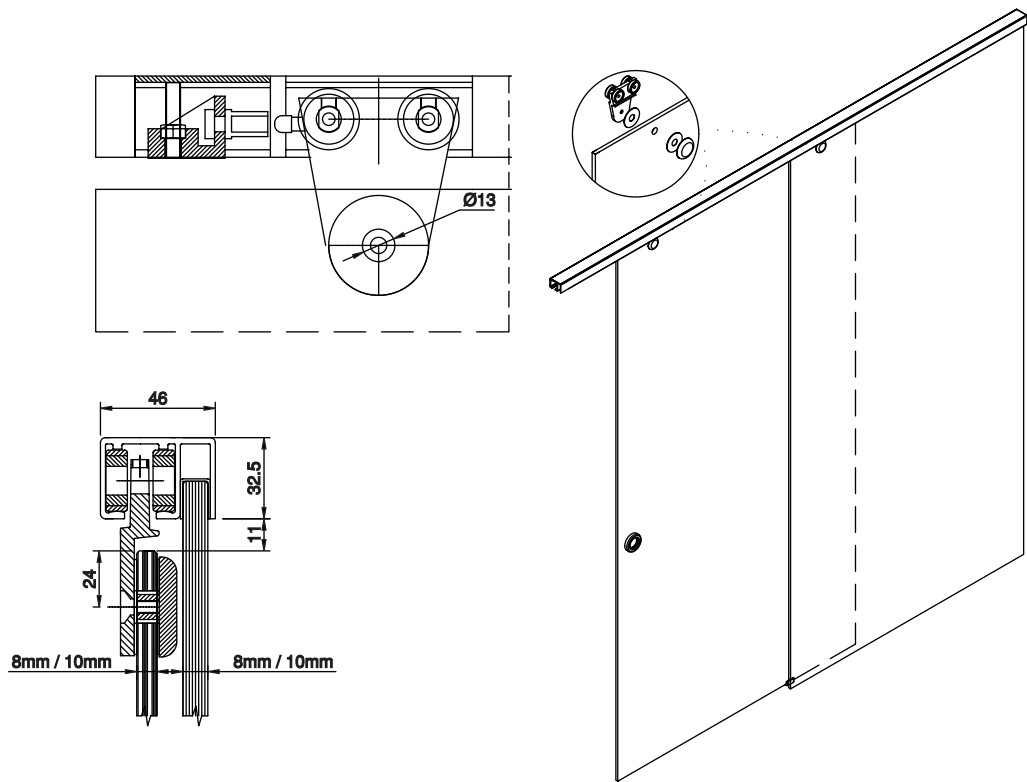
Kit contains 2 mtr Track with clamping accessories, two heavy duty rollers with end stopper and Door guide.

**Ordering Code : XL-C 7008 3M-GL120**

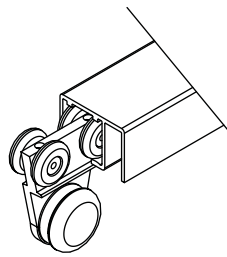
**Reference Code : 9137551**

Kit contains 2 mtr Track with clamping accessories, two heavy duty rollers with end stopper and Door guide.

**SLIDING GEAR**  
Glass Door Application  
(without fixed panel)



**Standard Glass Sliding Door with fixed panel provision**



- Max 60 - 70 kg/Leaf
- 8 & 10mm Glass Thickness
- Provision in Track for Fixed Glass
- Standard duty ball bearing Four Rollers / Clamp
- Heavy duty Track at 2 & 3Mtrs
- Bottom Channel for Fixed Glass (Optional)
- Hook Lock for Glass Sliding (Optional)
- Flush Pull (Optional)

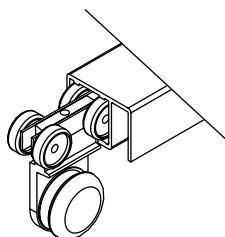
**Ordering Code : XL-C 7009 2M-GLF80**  
**Reference Code : 9137552**

Kit contains 2 mtr fixed glass track with screws, two standard rollers with end stopper and Glass door guide.

**Ordering Code : XL-C 7010 3M-GLF80**  
**Reference Code : 9137553**

Kit contains 3 mtr fixed glass track with screws, two standard rollers with end stopper and Glass door guide.

**Heavy Duty Glass Sliding Door**



- Max 120 kg/Leaf
- 8 & 10mm Glass Thickness
- Heavy duty ball bearing Four Rollers / Clamp
- Heavy duty Track at 2 & 3 Mtrs
- Hook Lock for Glass Sliding (Optional)
- Flush Pull (Optional)

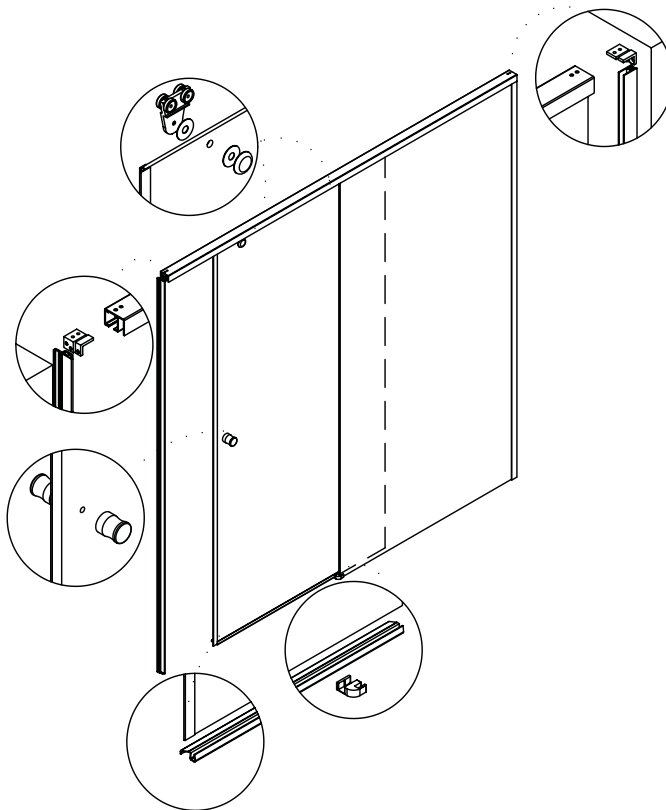
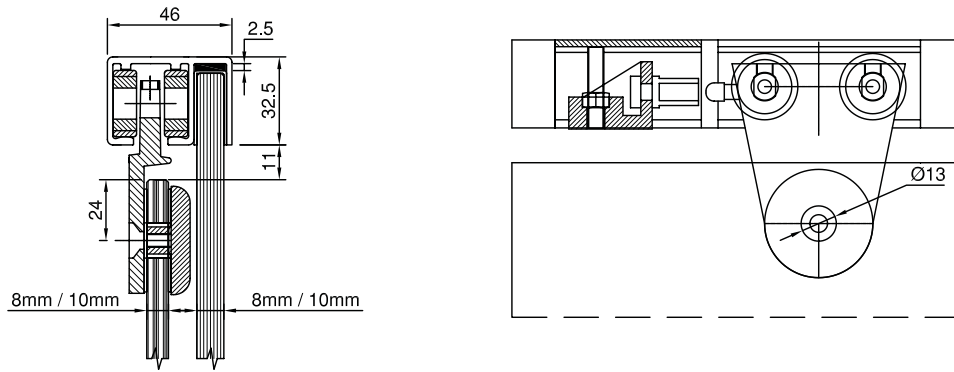
**Ordering Code : XL-C 7011 3M-GLF120**  
**Reference Code : 9137554**

Kit contains 2 mtr fixed glass track with screws, two heavy duty rollers with end stopper and Glass door guide.

**Ordering Code : XL-C 7012 3M-GLF120**  
**Reference Code : 9137555**

Kit contains 3 mtr fixed glass track with screws, two heavy duty rollers with end stopper and Glass door guide.

**SLIDING GEAR**  
 Glass Door Application  
 (with fixed panel)



**Sliding Shower System**

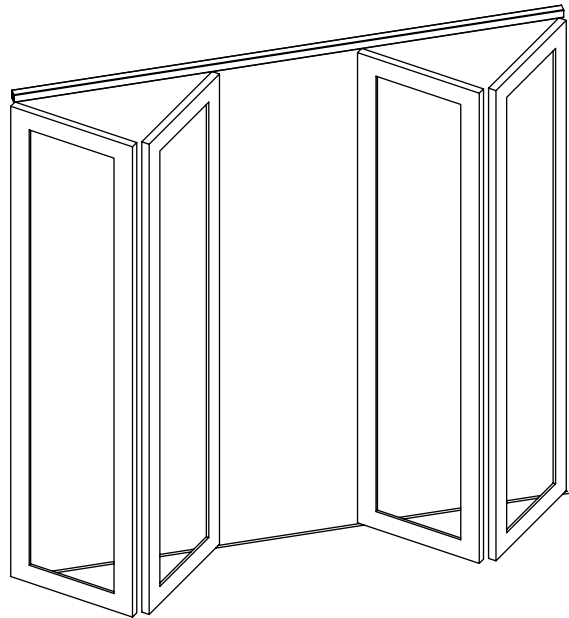
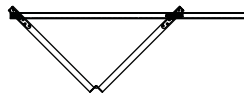
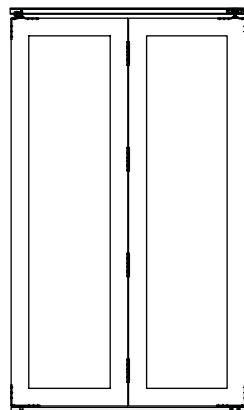
- Max 60 - 70 kg/Leaf
- Max Door size 750mm
- Max Height 2Meters
- 8mm Glass Thickness
- Provision in Track for Fixed Glass
- Standard duty ball bearing Four Rollers / Clamp
- Track Length Max. 1.6 Mtrs.
- Available in polished chrome finish
- Available in powder coated finish

**Ordering Code : XL-C 7013 2M-GLSA60**

**Reference Code : 9137556**

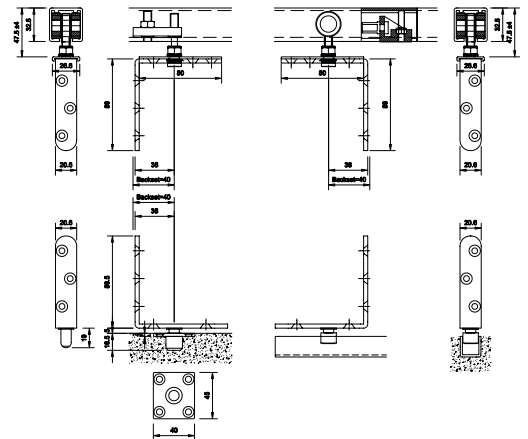
**Sliding  
Shower System**





**Standard wooden Sliding folding - SF1**

- Max 80 kg/System
- 30 - 34mm Shutter Thickness
- Standard duty ball bearing Four Rollers / Clamp
- Butt Hinges (Optional) Ref: Spec
- Heavy duty Track
- Bottom Channel (Optional)
- Hook Lock for Wooden Sliding (Optional)
- Handle (Optional)



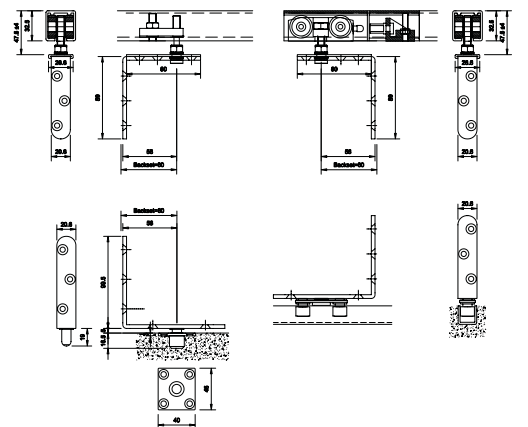
**Ordering Code : XL-C 7014 3M-SFW80**

**Reference Code : 9137559**

Kit contains 3 mtr track with screws,  
standard pivot clamps with two wheel  
roller and single wheel bottom guide

**Heavy Duty Wooden Sliding folding SF1**

- Max 120 kg/System
- 30 - 34mm Shutter Thickness
- Heavy duty ball bearing Four Rollers / Clamp
- Butt Hinges (Optional) Ref: Spec
- Heavy duty Track
- Bottom Channel (Optional)
- Hook Lock for Wooden Sliding (Optional)
- Handle (Optional)



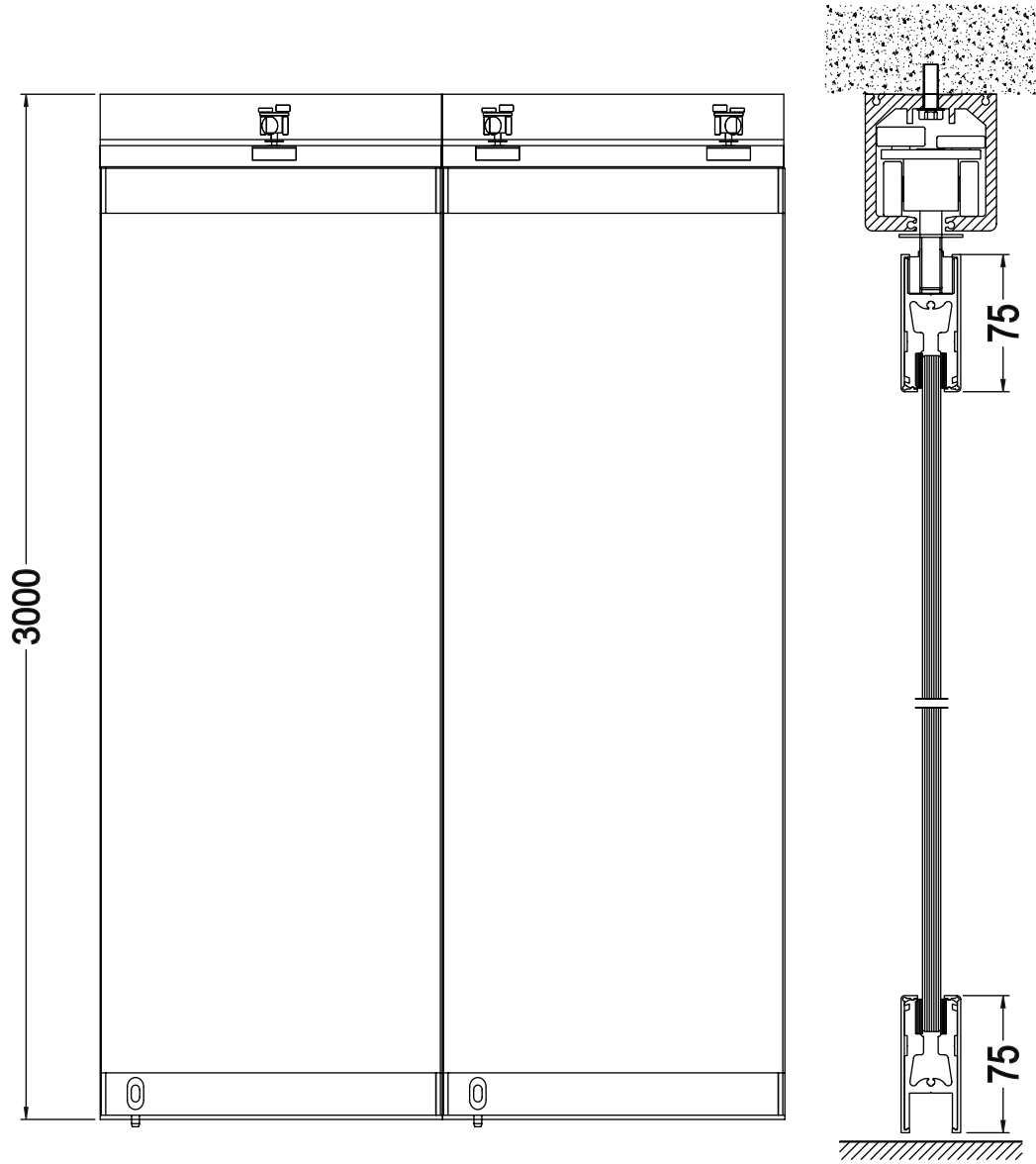
**Ordering Code : XL-C 7014 3M-SFW120**

**Reference Code : 9137560**

Kit contains 3 mtr track with screws,  
heavy duty pivot clamps with two wheel  
roller and double wheel bottom guide

**Sliding / Folding  
Wooden Door  
Application**





**Features\***

- Max height Upto 3Mtrs
- Max weight of 100kg/panel
- Max width of 1000mm/panel
- 10mm/12mm Glass Thickness
- Floor Mounting EPC Lock
- Floor / Side Mounting Bolt
- Provision with options for parking panels

\* Product on RFQ basis

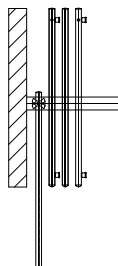
**Ordering Code : XL-C 7016 HSW Mid Range**

**Ref. Code : 9137557**

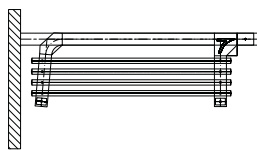
**HSW**

(Horizontal Sliding Wall)

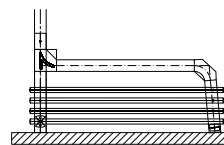
"Zero" Parking



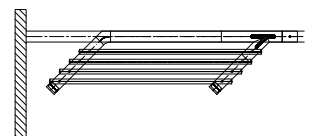
Parallel Parking

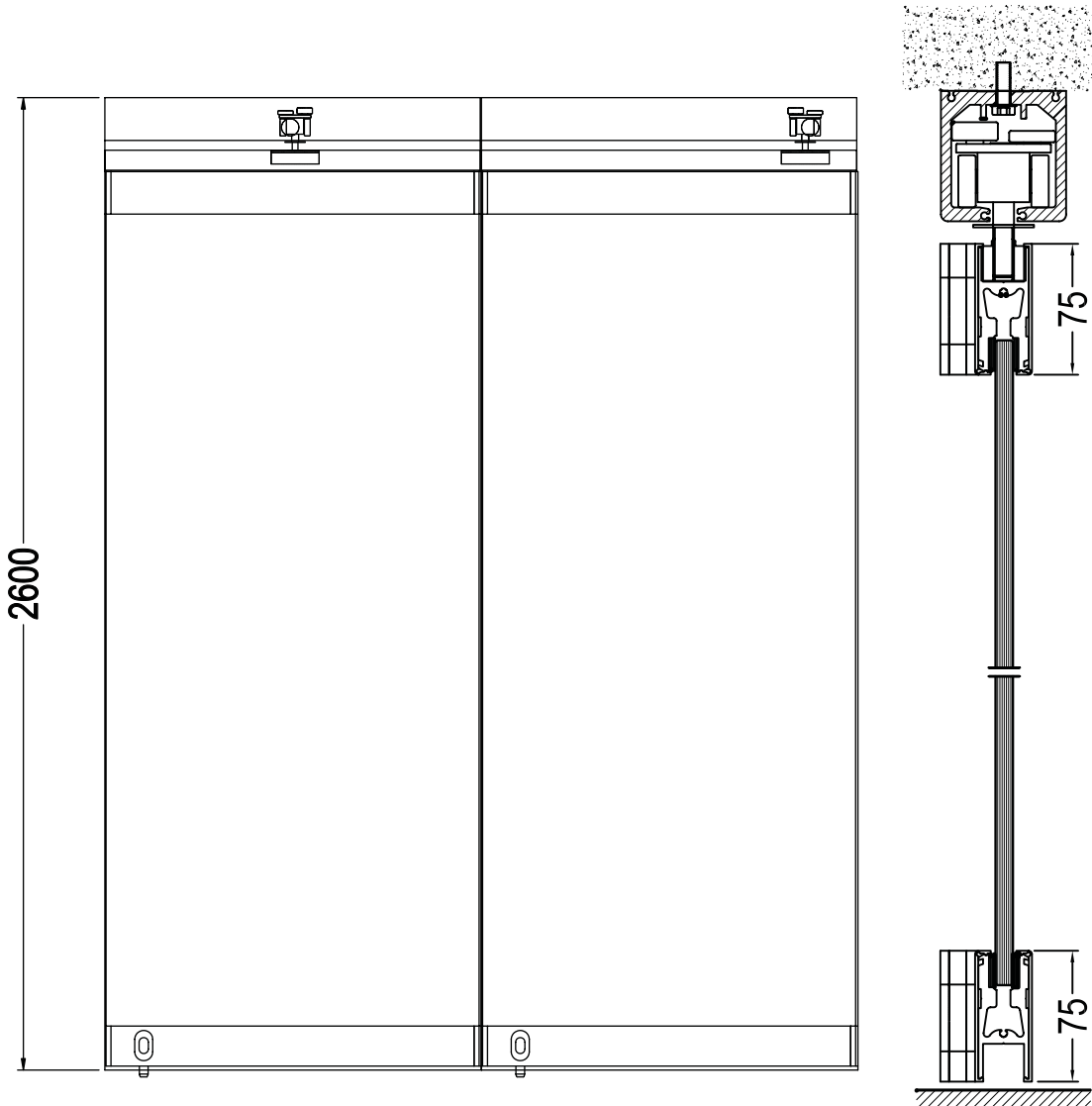


Perpendicular Parking



135° Parking

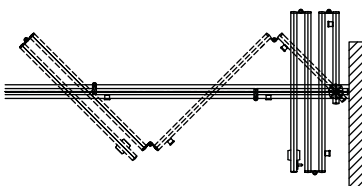




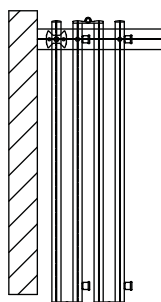
**Features (FSW)\***

- Max height Upto 2.6Mtrs
- Max weight of 70kg/panel
- Max width of 750mm/panel
- Max no. of 6 panels in a line
- Max 10mm Glass Thickness
- Hinged Top/Bottom door rails
- Floor Mounting EPC Lock
- Floor Mounting Bolt

FSW - C



FSW - G

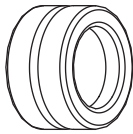


\* Product on RFQ basis

Ordering Code : XL-C 7017 FSW Mid Range

Ref. Code : 9137558

**FSW**  
(Folding Sliding Wall)

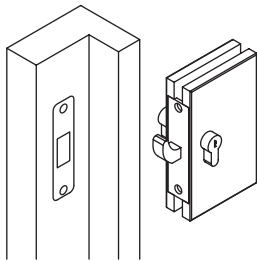


Flush Pull - Satin Finish

**Ordering Code : XL-C 7018**

**Reference Code : 9138056**

---

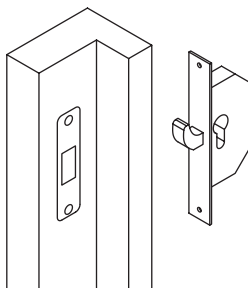


Hook Lock for Glass Sliding  
Glass / Wall or Wood

**Ordering Code : XL-C 7020**

**Reference Code : 9138057**

---

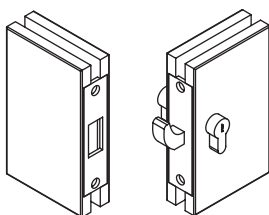


Hook Lock for Wooden Sliding  
Wood to Wood / Wall

**Ordering Code : XL-C 7020**

**Reference Code : 9138058**

---

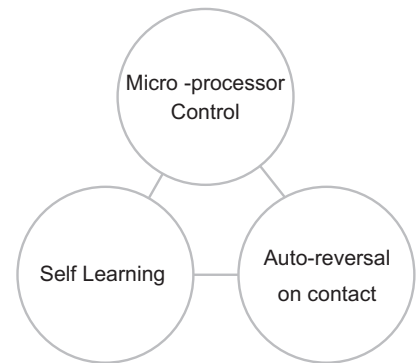
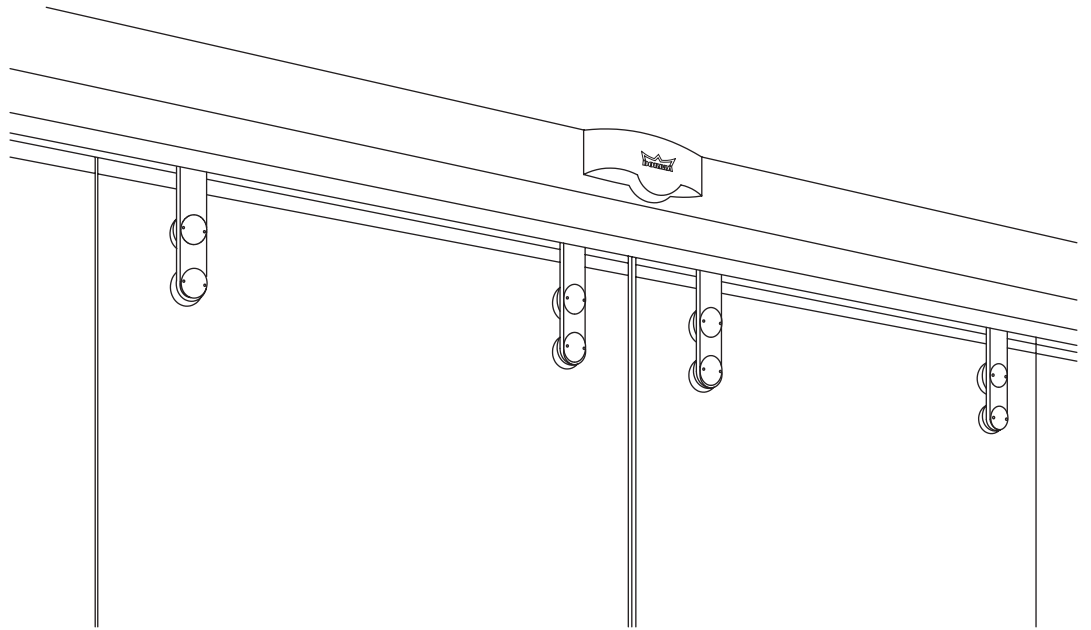


Hook Lock for Glass Sliding  
Glass to Glass

**Ordering Code : XL-C 7121**

**Reference Code : 9138059**

**Accessories  
for  
Sliding Systems**



**Automatic sliding door operator.**

**Standard Application :**

- Single Panel Sliding Door
- Double Panel Sliding Door (Bi-Parting)

- A. Clear Passage Width : a. Single panel sliding : Min. 700 mm – Max. 1200 mm  
b. Double panel sliding: Min. 800 mm – Max 2000 mm
- C. Clear Passage Height : 2100 mm
- D. Door Weight : a. Single panel Sliding = 1 x 100 Kgs  
b. Double panel Sliding = 2 x 85 Kgs

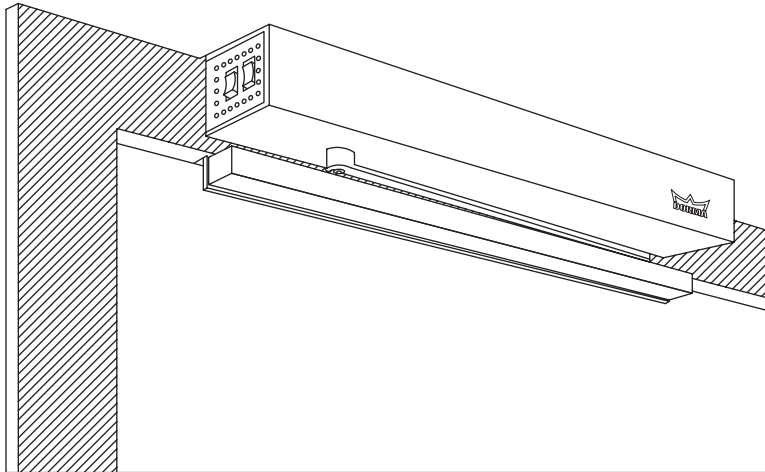
**Activator options:**

- Radar Sensor
- Pushbutton
- Hand-held transmitter / Receiver (Remote Control)

**Ordering Code : XL-C 4100**

**Reference Code : 9103426**

**Automatic  
Sliding Door  
Operator (CS 85)  
- 4150 mm**

**Electro-mechanical automatic swing door operator.**

Door panel width :  $\leq 1100$  mm

Door panel  
Weight : 80 Kg Maximum  
(depending Upon  
Door panel Width )

Opening angle : 100 deg Maximum

Program Option : Off, Power Motion,  
Permanent Open

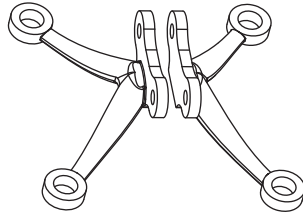
**Activator options:**

- Pushbutton
- Hand-held transmitter
- Receiver for hand-held transmitter

**Ordering Code : XL-C 4300**

**Reference Code : 9103428**

**Automatic  
Swing Door  
Operator  
(PORTEO)**

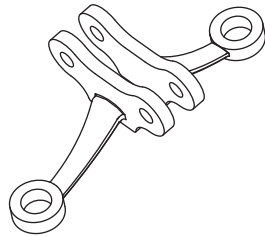


**Four Arm Facade Fin Bracket**

Ordering Code : XL-C 6007

Reference Code : 9138059

---

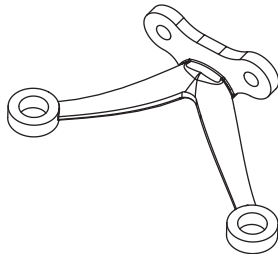


**Two Arm Facade Fin Bracket**

Ordering Code : XL-C 6006

Reference Code : 9138060

---

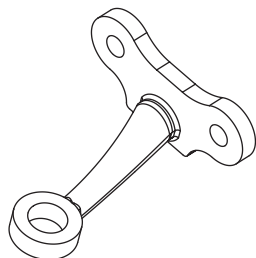


**Two Arm Facade Wall Bracket**

Ordering Code : XL-C 6005

Reference Code : 9140472

---



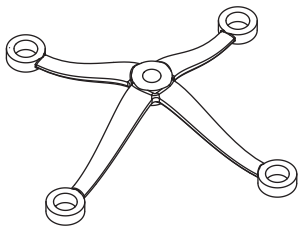
**Single arm Fin type spider**

Ordering Code : XL-C 6004

Reference Code : 9138061

**KONNECT  
(Level-II  
Spider Fittings)**

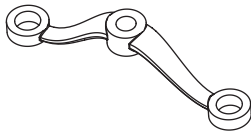




**Four arm elliptical spider**

Ordering Code : XL-C 6003

Reference Code : 9140470



**Two arm elliptical spider**

Ordering Code : XL-C 6002

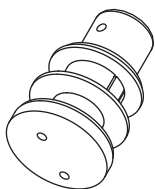
Reference Code : 9140469



**Single arm elliptical spider**

Ordering Code : XL-C 6001

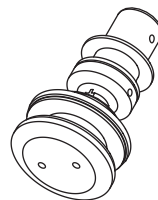
Reference Code : 9140468



**Fixed Bolt**

Ordering Code : XL-C 6008

Reference Code : 9138062



**Articulated Bolt**

Ordering Code : XL-C 6009

Reference Code : 9138063

**KONNECT  
(Level-II  
Spider Fittings)**

# NOTES

A series of horizontal dotted lines for writing notes.

Contact :  
Authorised DORMA Channel Distribution Centre

**NOBLE TRADERS**

Plot No. 56/P, Kalpana Housing Society, Chintal, Quthbullapur, Hyderabad – 500054.

Phone : +91 - 9966747318

Email : [sales@nobletraders.in](mailto:sales@nobletraders.in)

**DORMA XL - C**<sup>TM</sup>